

Laing Circulation Pumps

WSE's line of Laing circulation pumps are sure to keep the fluid moving. These excellent circulation pumps feature high quality design and manufacturing. They are so quiet, you barely know if its actually on!

These pumps have the ideal flow and head characteristics for use with WSE's solar collection panels.

Features:

Low flow provides minimal flow velocities thereby reducing the effect of pipe erosion and noise caused by vibration.

Rated for temperatures to 220°F and line pressures to 150 PSI

AC Model requires only 33 watts of power, Solar model requires a 15 Watt solar power for best performance.

Dry run cutout provided on pumps for hot water recirculation

Since the only moving part is the impeller, there is no maintenance required

Brushless impeller design

Acceptable media: Domestic hot water, heating water, water/Glycol mixtures

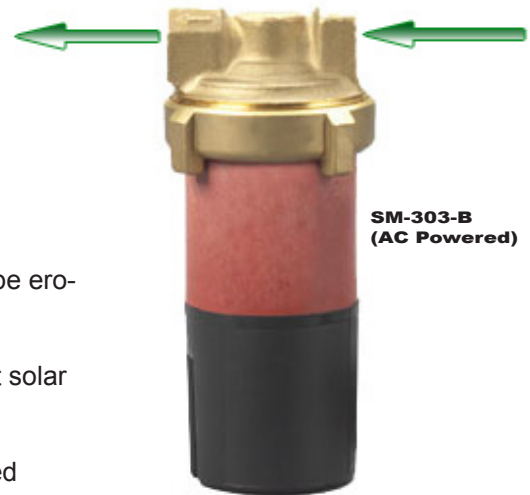
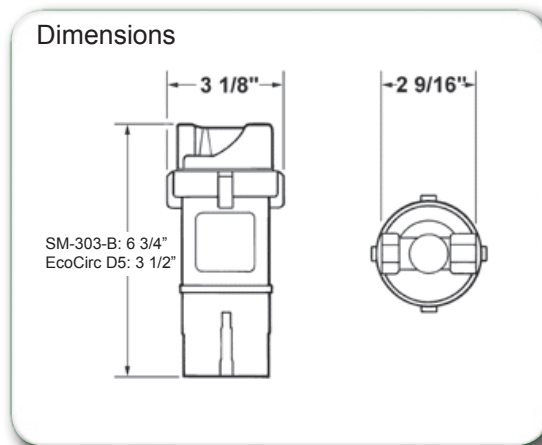
Construction Materials:

Brass Housing

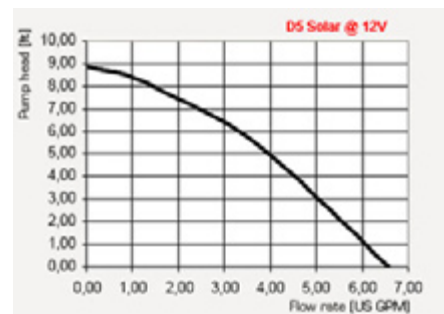
316 Stainless Steel Rotor and Separating Wall

Noryl Impeller

Ceramic Bearing Ball



**SM-303-B
(AC Powered)**



**EcoCirc D5
(Solar Powered)**

Ordering Information:

Standard pump configuration includes brass inline housing, concealed capacitor, and internal terminal strip w/ wiring diagram for hard wiring.

Housing Connection Codes:

BS 1/2" - Brass inline housing with 1/2" sweat fittings

BT 1/2" - Brass inline housing with 1/2" NPT female thread fittings

Options Available:

6 ft. line cord with plug (115V models Only)

230V, 60Hz, 50Hz, and 24VAC motors

Adjustable Thermostat (95°F-158°F)